



PURCHASING DEPARTMENT
DIVISION OF BUDGET & FINANCE

Q-23-754
ADDENDUM NO. 3
REQUEST FOR QUOTE

FENCING PROJECTS – WASHINGTON COUNTY CIRCUIT COURT

DATE: Friday, June 16, 2023

QUOTES DUE: Wednesday, June 21, 2023
3:00 P.M.(EDT/EST)

To Bidders:

This Addendum is hereby made a part of the Request for Quote (RFQ) Documents on which all quotes will be based and is issued to correct and clarify the original documents.

Please acknowledge receipt of this Addendum at the appropriate space on the Proposal Form. This Addendum consists of two (2) pages and four (4) attachments.

NOTE: All Bidders must enter the Washington County Administration Complex through either the front door at the 100 West Washington Street entrance or through the rear entrance (w/blue canopy roof) which is handicap accessible and must use the elevator to access the Purchasing Department to submit their quote and/or to attend the Pre-Quotation Conference. Alternate routes are controlled by a door access system. The general public will be subject to wand search and will be required to remove any unauthorized items from the building prior to entry. Prohibited items include but are not limited to: Weapons of any type; Firearms, ammunition, and explosive devices; Cutting instruments of any type - including knives, scissors, box cutters, work tools, knitting needles, or anything with a cutting edge, etc.; Pepper spray, mace, or any other chemical defense sprays; and Illegal substances.

ITEM NO. 1: *Inquiry:* there is not a layout or any photos of the existing fencing attached. Can we get a layout and photos of the site? I'd need to see how the ornamental fence to be removed is anchored, the overall location, and a confirming layout of where you want the gate to go, and swing direction. For the chain link we need the location noted and to see again, what we are anchoring to.

Response: See attachment "A" to this addendum.

ITEM NO. 2: *Inquiry:* Are there going to be written specs on the fencing?

Response: See attachments “A through “C” to this addendum

ITEM NO. 3: Inquiry: Can the question date be extended. The site visit contact is out of office until Monday 5/22/23 according to her voicemail. With that information trying to get a site visit scheduled before the question deadline of Wednesday 5/24/23 is going to be almost impossible.

Response: The deadline for questions has expired.

ITEM NO. 4: Inquiry: reference page 6 of solicitation. Phase two of the scope of work. Can you please quantify the “repair gaps” portion?

Response: The total length of the fence to be repaired is approximately 111’. It is the responsibility of the vendor to verify the required dimensions.

ITEM NO. 5: Inquiry: reference page 6 of solicitation. Phase two of the scope of work. Can you please provide a detail of the rubber matting with steel plates and security nuts and bolts?

Response: See attachment “C” to this addendum.

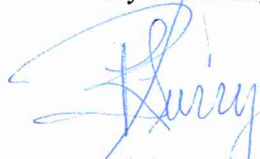
ITEM NO. 6: Inquiry: Is this site visit mandatory?

Response: The site visit is not mandatory.

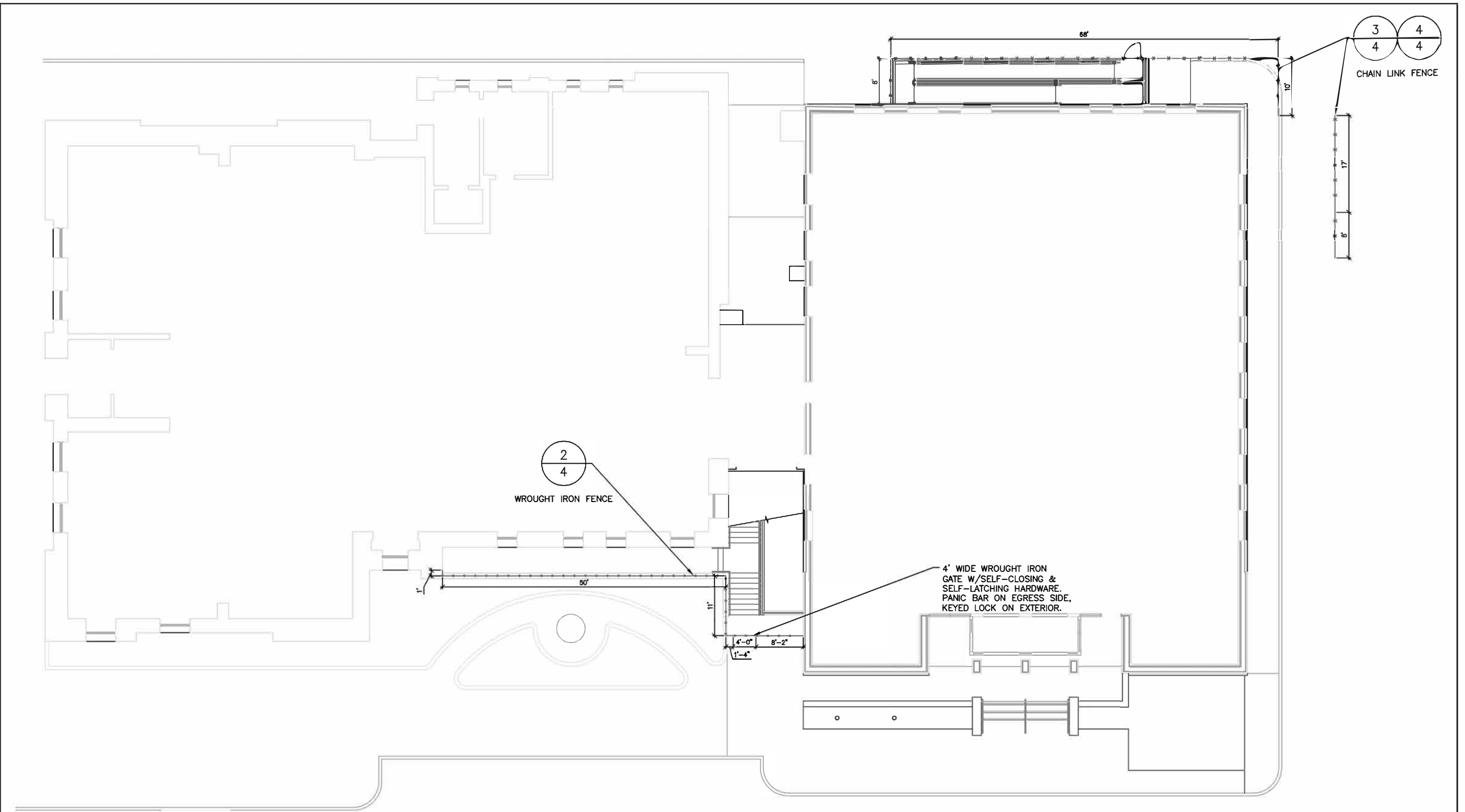
ITEM NO. 7: Inquiry: so there won't be a teleconference Wednesday, May 17, 2023, at 10:30 A.M? and we only gonna have the site visit on Tuesday May 23? Or are we having both?

Response: The dates for both the teleconference and the site visit have expired.

By Authority of:



Rick F. Curry, CPPO
Director of Purchasing



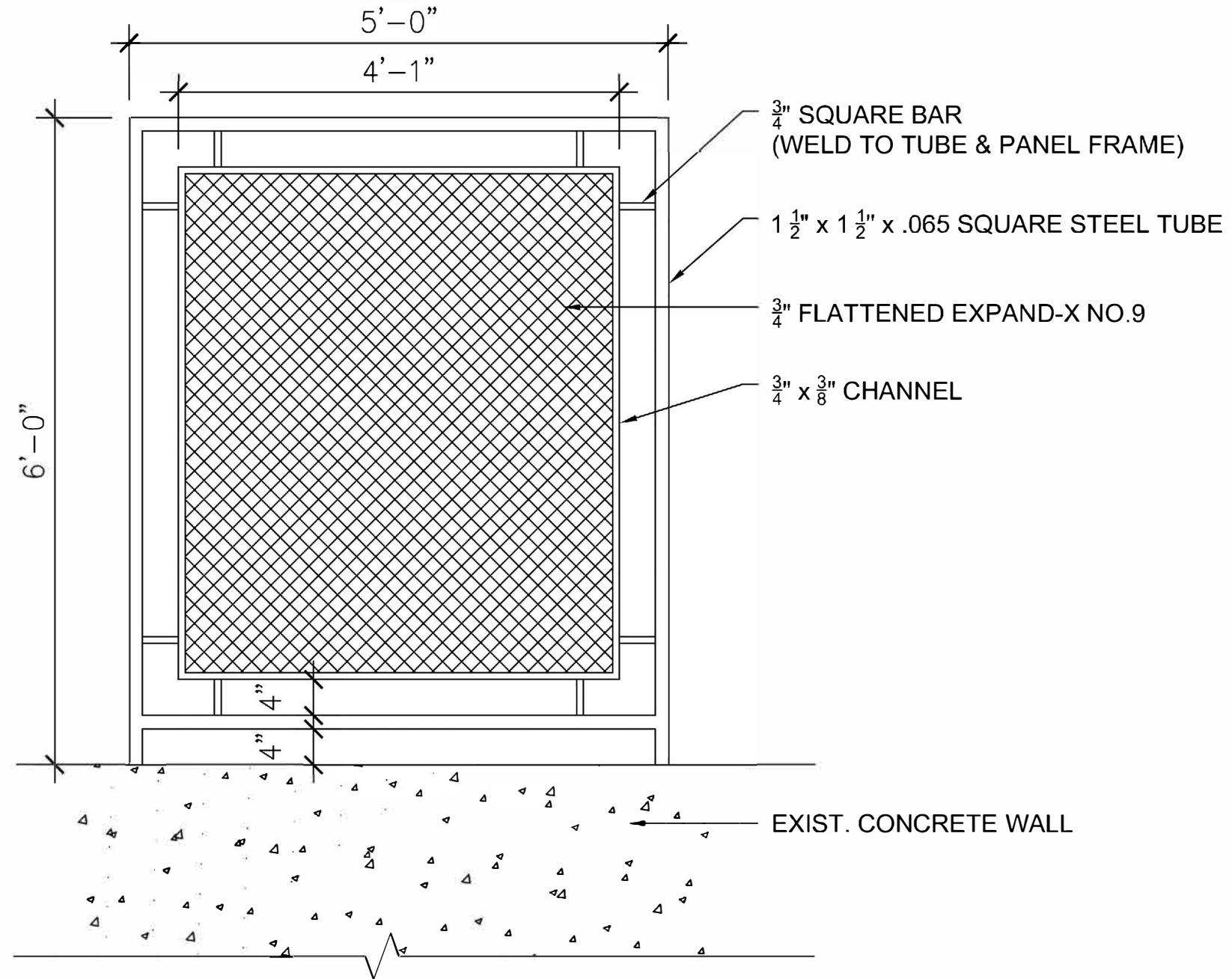
APPROVED
06-02-2023
DATE
JLA
DRAWN



Washington County, MD
Division of Engineering

WASHINGTON COUNTY CIRCUIT COURT
24 SUMMIT AVENUE, HAGERSTOWN, MD 21740
FENCING PROJECT
SITE PLAN

1/16" = 1'-0"
SCALE
DRAWING No.
1 OF 4



WROUGHT IRON FENCE DETAIL

N.T.S.

WASHINGTON COUNTY CIRCUIT COURT
 24 SUMMIT AVENUE, HAGERSTOWN, MD 21740
 FENCING PROJECT
 WROUGHT IRON FENCE DETAILS

APPROVED

06-02-2023

DATE

JLA

DRAWN

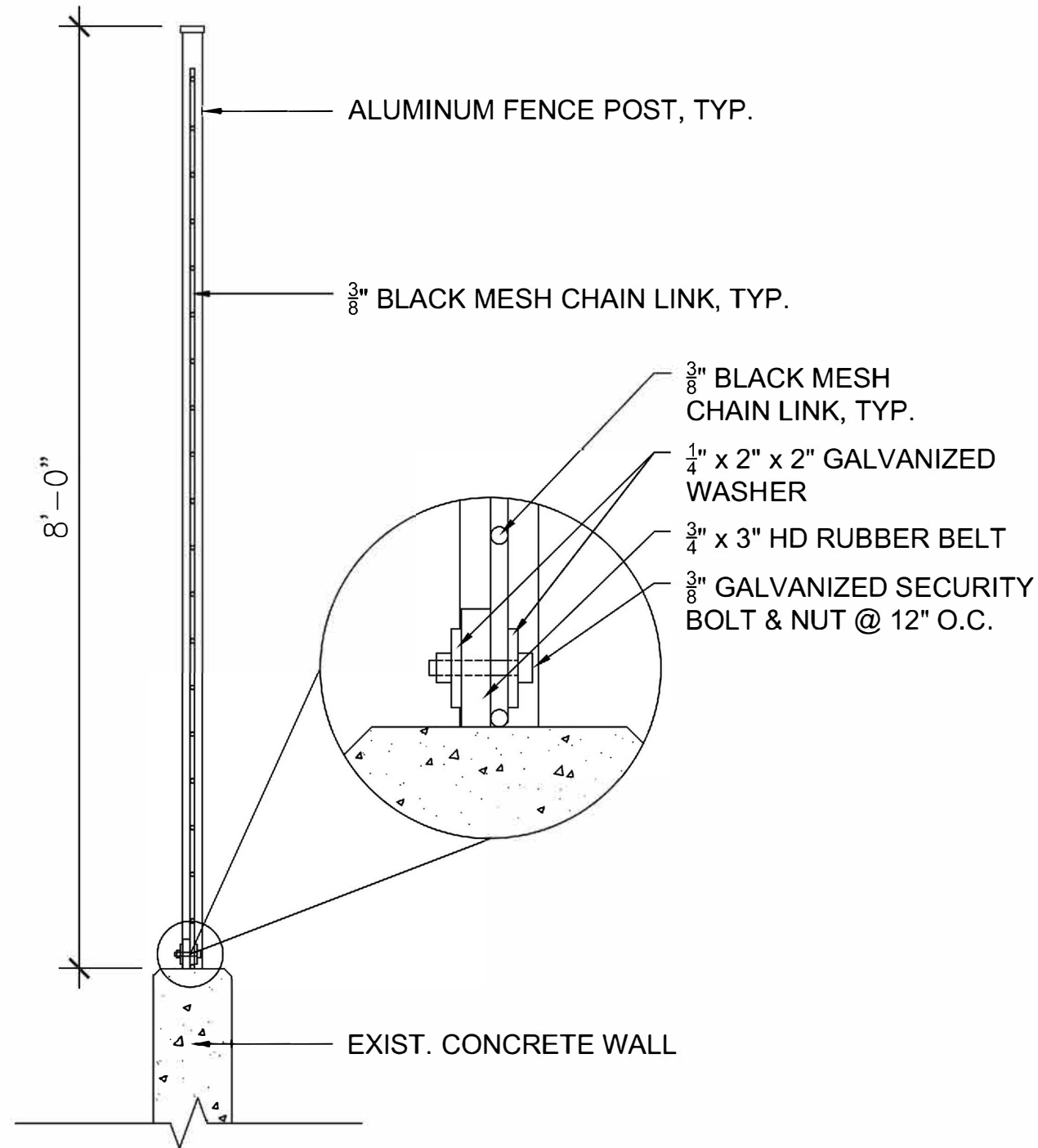


Washington County, MD
 Division of Engineering

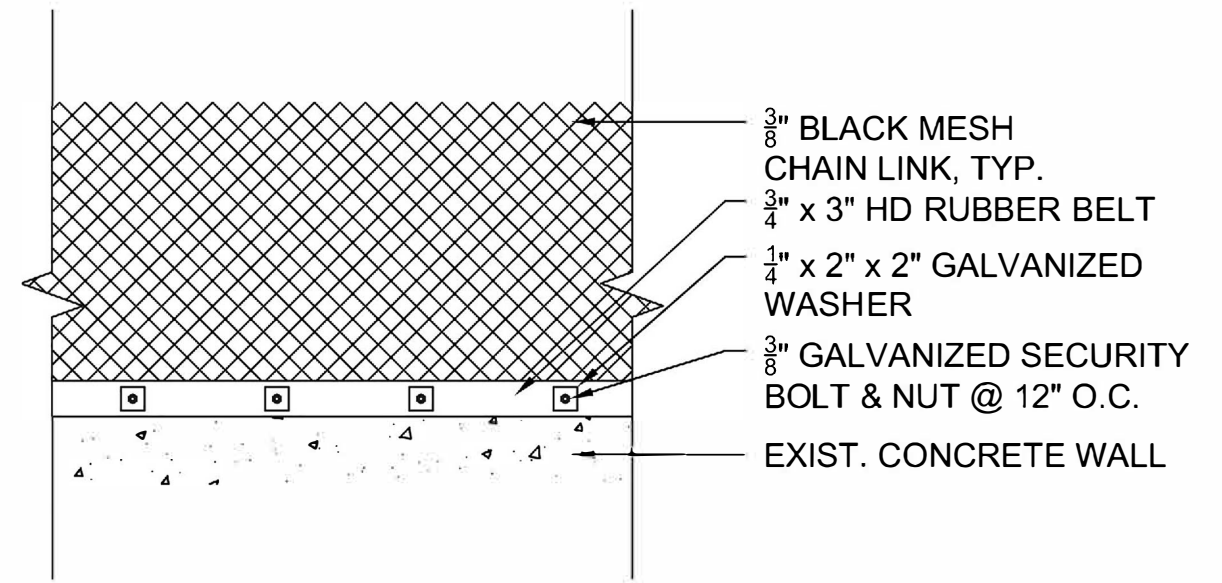
NONE
 SCALE

DRAWING No.

2 OF 4



CHAIN LINK FENCE SECTION DETAIL
N.T.S.



CHAIN LINK FENCE DETAIL
N.T.S.

APPROVED
06-02-2023
DATE
JLA
DRAWN



Washington County, MD
Division of Engineering

WASHINGTON COUNTY CIRCUIT COURT
24 SUMMIT AVENUE, HAGERSTOWN, MD 21740
FENCING PROJECT
CHAIN LINK FENCE DETAILS

NONE
SCALE
DRAWING No.
3 OF 4























NO TRESPASSING
PRIVATE PARKING ONLY
VIOLATORS WILL BE TOWED AWAY AT OWNER'S EXPENSE

